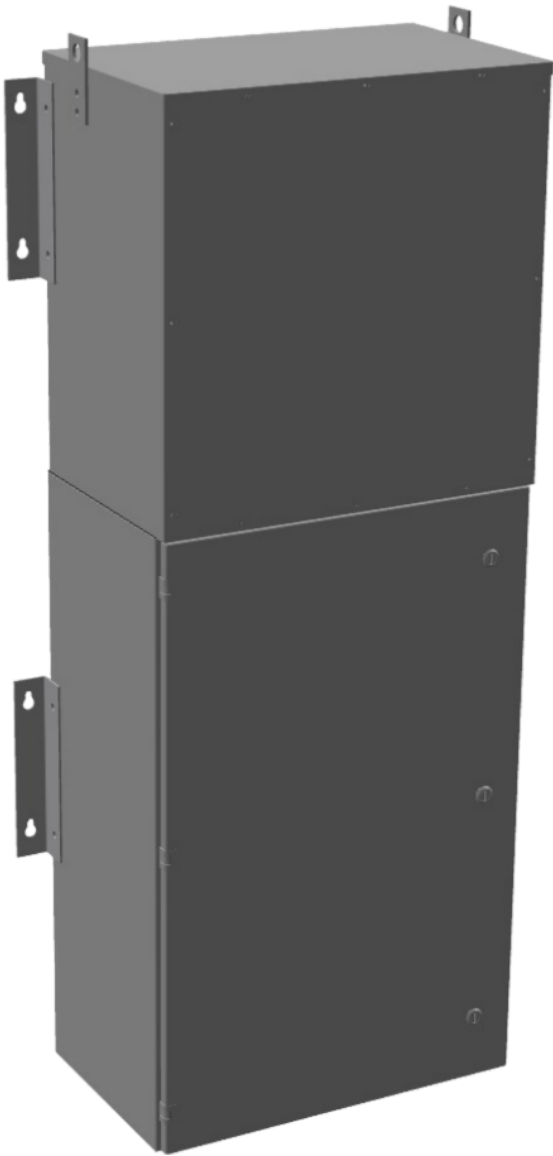




25KVA 480 VOLTS TO 120/240 VOLTS
SINGLE PHASE BOLT-ON BREAKER
MINI POWER CENTER



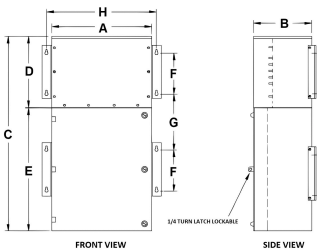
25KVA 480 VOLTS TO
120/240 VOLTS SINGLE
PHASE BOLT-ON BREAKER
MINI POWER CENTER

\$12,625.00 CAD

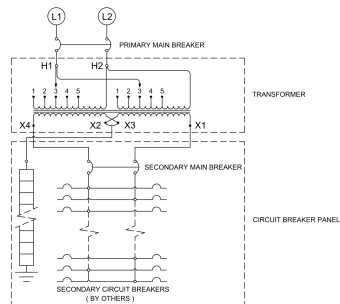
SKU: MP1A25H-K/BO/CLC

Categories: [Mini Power Centers](#)

SCHEMATIC/DIAGRAM AND DIMENSION PICTURES



Ref	A	B	C	D	E	F	G	H
Dim (Inches)	23.25	14.5	60	23.6	36.5	8	26.5	25.38



25KVA 480 VOLTS TO 120/240 VOLTS
SINGLE PHASE BOLT-ON BREAKER
MINI POWER CENTER



PRODUCT SPECIFICATIONS

Weight	570 lbs
Phases	1
kVA	25
Connection	MPC1P-5t
Primary Taps	+/- 2 x 2.5%
Conductor Material	Aluminum
BIL (Insulation) Level	10kV
Impedance Range	1.5 – 3.0%
Enclosure Type	NEMA 3R Outdoor
Enclosure Size	E3R-1PMPC-3B
Finish/Colour	Polyester Powder Coat – ANSI/ASA 61 Grey
Standards & Certifications	CSA Certified File No. LR34493, UL Listed File No. E495724, ISO 9001:2015 Registered
Incoming Voltage	480
Primary Breaker	100A
Interrupting Rating	14kAIC @ 480V
Output Voltage	120/240
Secondary Breaker	125A
Short Circuit Withstand	10kAIC @ 240V
Panel Board	Bolt-On
Load Center Bus Material	Copper
# of Circuits	30
Circuit Breaker Suitability	Eaton Type BAB
Temperatue Rise	130°C



OFFICIAL QUOTE

25KVA 480 VOLTS TO 120/240 VOLTS
SINGLE PHASE BOLT-ON BREAKER
MINI POWER CENTER



Insuation Class	200°C (Class N)
Country/Manufacturer	Canada/RPM