

200KVA 240 VOLTS TO 415 VOLTS SINGLE PHASE AUTOTRANSFORMER

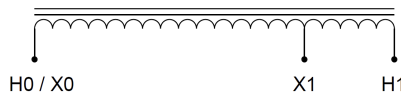
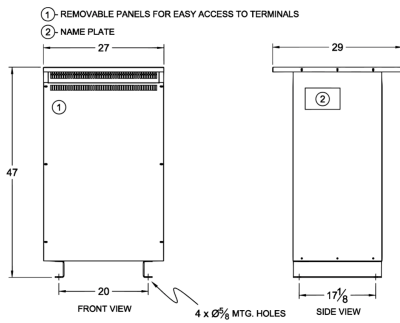
\$9,140.00 CAD

Single Phase Autotransformer with a capacity of 200kVA, transforming 240 Volts to 415 Volts

SKU: MC200C-G2

Categories: [Autotransformer](#)

SCHEMATIC/DIAGRAM AND DIMENSION PICTURES



Single Phase Autotransformer with a capacity of 200kVA, transforming 240 Volts to 415 Volts



PRODUCT SPECIFICATIONS

| | |
|---------------------------------------|--|
| Weight | 677.9 lbs |
| Phases | 1 |
| kVA | 200 |
| Connection | 1PhA-NT-1 |
| Primary Voltage | 240 |
| Primary Max Current | 481.1A |
| Primary Markings | X0-X1 |
| Primary Terminals | Pads |
| Secondary Voltage | 415 |
| Secondary Max Current | 278.2A |
| Secondary Markings | H0-H1 |
| Secondary Terminals | Pads |
| Primary Taps | N/A |
| Conductor Material | Copper |
| Insulation Class | 220°C (Class H) |
| BIL (Insulation) Level | 10kV |
| Efficiency (@35% Load) % | N/A |
| Impedance Range | 1.5 – 3.5% |
| Sound (db) | 55 dB |
| Enclosure Type | NEMA 3R Indoor |
| Enclosure Size | E3R-8S |
| Finish/Colour | Polyester Powder Coat – ANSI/ASA 61 Grey |
| Standards & Certifications | CSA Certified File No. LR34493, UL Listed File No. E108255, ISO 9001:2015 Registered |



OFFICIAL QUOTE

200KVA 240 VOLTS TO 415 VOLTS
SINGLE PHASE AUTOTRANSFORMER



Country/Manufacturer

[Canada/RPM](#)