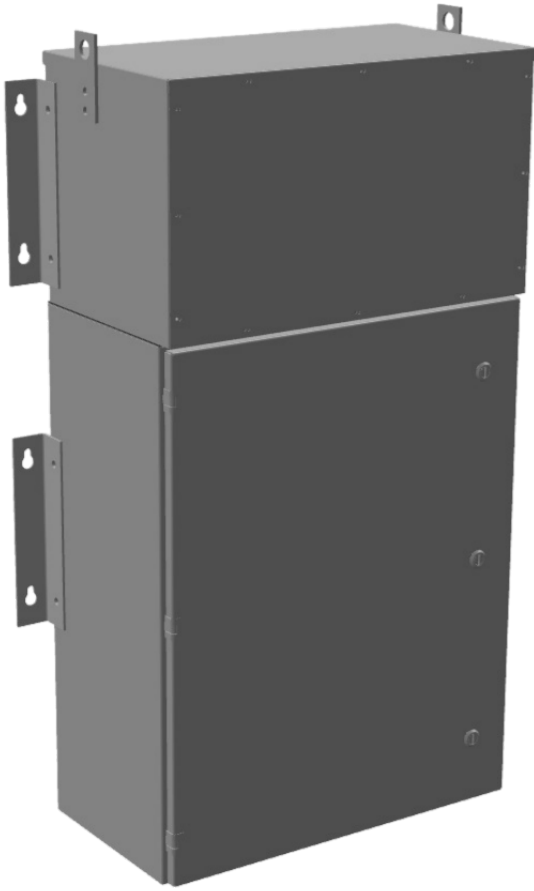




7.5KVA 480 VOLTS TO 120/240 VOLTS
SINGLE PHASE BOLT-ON BREAKER
MINI POWER CENTER



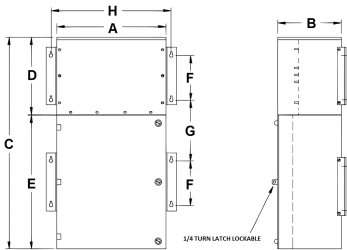
7.5KVA 480 VOLTS TO
120/240 VOLTS SINGLE
PHASE BOLT-ON BREAKER
MINI POWER CENTER

\$8,809.00 CAD

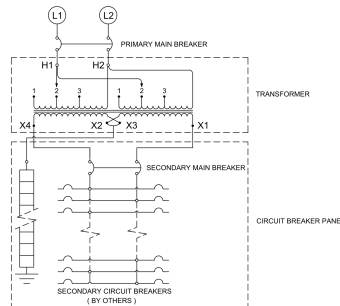
SKU: MP1C7H-K/BO/CLC

Categories: [Mini Power Centers](#)

SCHEMATIC/DIAGRAM AND DIMENSION PICTURES



Ref	A	B	C	D	E	F	G	H
Dim (inches)	23.25	12.5	43.5	13.5	26	8	11.5	25.25



PRODUCT SPECIFICATIONS



7.5KVA 480 VOLTS TO 120/240 VOLTS
SINGLE PHASE BOLT-ON BREAKER
MINI POWER CENTER

Weight	275 lbs
Phases	1
kVA	7.5
Connection	MPC1P-3t
Primary Taps	+/- 1 x 5%
Conductor Material	Copper
BIL (Insulation) Level	10kV
Impedance Range	1.5 – 3.0%
Enclosure Type	NEMA 3R Outdoor
Enclosure Size	E3R-1PMPC-1B
Finish/Colour	Polyester Powder Coat – ANSI/ASA 61 Grey
Standards & Certifications	CSA Certified File No. LR34493, UL Listed File No. E495724, ISO 9001:2015 Registered
Incoming Voltage	480
Primary Breaker	30A
Interrupting Rating	14kAIC @ 480V
Output Voltage	120/240
Secondary Breaker	40A
Short Circuit Withstand	10kAIC @ 240V
Panel Board	Bolt-On
Load Center Bus Material	Copper
# of Circuits	18
Circuit Breaker Suitability	Eaton Type BAB
Temperatue Rise	130°C
Insuation Class	200°C (Class N)
Country/Manufacturer	Canada/RPM