

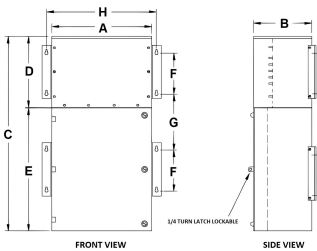
# MP1C30J-K

**\$12,358.00 CAD**

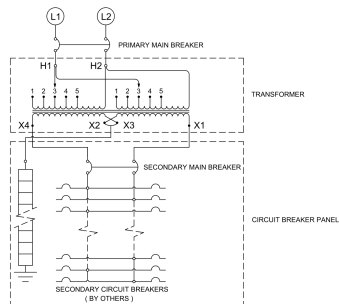
SKU: 237405b0a8d2

Categories: [Mini Power Centers](#)

## SCHEMATIC/DIAGRAM AND DIMENSION PICTURES



Ref	A	B	C	D	E	F	G	H
Dim (inches)	18	14.5	59.5	23.6	35.9	8	26.5	20.13





**PRODUCT SPECIFICATIONS**

<b>Weight</b>	780 lbs
<b>Phases</b>	<a href="#">1</a>
<b>Circuit Breaker Suitability</b>	<a href="#">Eaton Type BR</a>
<b>kVA</b>	<a href="#">30</a>
<b>Connection</b>	<a href="#">MPC1P-5t</a>
<b>Incoming Voltage</b>	<a href="#">600</a>
<b>Primary Breaker</b>	<a href="#">100A</a>
<b>Interrupting Rating</b>	<a href="#">14kAIC @ 600V</a>
<b>Output Voltage</b>	<a href="#">120/240</a>
<b>Secondary Breaker</b>	<a href="#">150A</a>
<b>Short Circuit Withstand</b>	<a href="#">25kAIC @ 240V</a>
<b>Primary Taps</b>	<a href="#">+/- 2 x 2.5%</a>
<b>Conductor Material</b>	<a href="#">Copper</a>
<b>Insuation Class</b>	<a href="#">200°C</a>
<b>Panel Board</b>	<a href="#">Push-On</a>
<b>Load Center Bus Material</b>	<a href="#">Aluminum</a>
<b># of Circuits</b>	<a href="#">30</a>
<b>Impedance</b>	<a href="#">1.5 – 3.0%</a>
<b>Temperatue Rise</b>	<a href="#">130°C</a>
<b>Enclosure</b>	<a href="#">E3R-1PMPC-3</a>
<b>Enclosure Type</b>	<a href="#">E3R Outdoor</a>
<b>Finish</b>	<a href="#">Polyster Powder Coat – ANSI/ASA 61 Grey</a>
<b>Standards &amp; Certifications</b>	<a href="#">CSA Certified File No. LR34493, UL Listed File No. E495724, ISO 9001:2015 Registered</a>

