

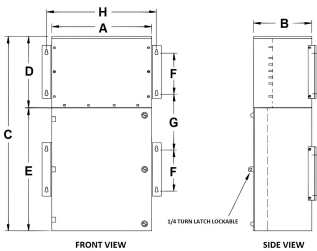
MP1C30J-K/BO/CLC

\$11,178.88 USD

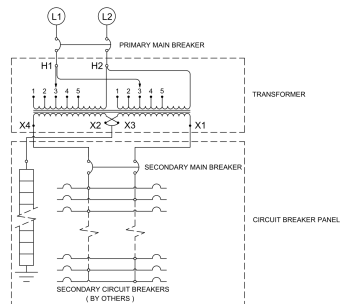
SKU: 29411224671f

Categories: [Mini Power Centers](#)

SCHEMATIC/DIAGRAM AND DIMENSION PICTURES



| Ref | A | B | C | D | E | F | G | H |
|--------------|-------|------|----|------|------|---|------|-------|
| Dim (Inches) | 23.25 | 14.5 | 60 | 23.6 | 36.5 | 8 | 26.5 | 25.38 |





PRODUCT SPECIFICATIONS

| | |
|---------------------------------------|--|
| Weight | 780 lbs |
| Phases | 1 |
| Circuit Breaker Suitability | Eaton Type BAB |
| kVA | 30 |
| Connection | MPC1P-5t |
| Incoming Voltage | 600 |
| Primary Breaker | 100A |
| Interrupting Rating | 14kAIC @ 600V |
| Output Voltage | 120/240 |
| Secondary Breaker | 150A |
| Short Circuit Withstand | 25kAIC @ 240V |
| Primary Taps | +/- 2 x 2.5% |
| Conductor Material | Copper |
| Insuation Class | 200°C |
| Panel Board | Bolt-On |
| Load Center Bus Material | Copper |
| # of Circuits | 30 |
| Impedance | 1.5 – 3.0% |
| Temperatue Rise | 130°C |
| Enclosure | E3R-1PMPC-3B |
| Enclosure Type | E3R Outdoor |
| Finish | Polyster Powder Coat – ANSI/ASA 61 Grey |
| Standards & Certifications | CSA Certified File No. LR34493, ISO 9001:2015 Registered |