

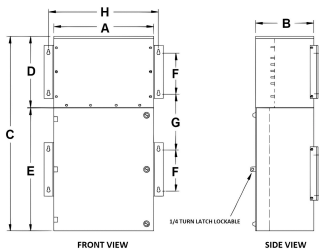
MP1A30J-K

\$8,212.38 USD

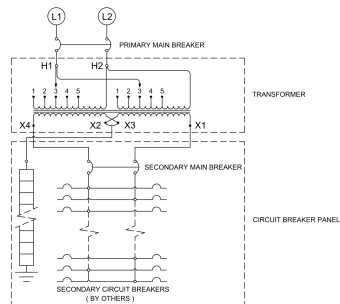
SKU: 682aab7669bb

Categories: [Mini Power Centers](#)

SCHEMATIC/DIAGRAM AND DIMENSION PICTURES



Ref	A	B	C	D	E	F	G	H
Dim (inches)	18	14.5	59.5	23.6	35.9	8	26.5	20.13





PRODUCT SPECIFICATIONS

Weight	780 lbs
Phases	1
Circuit Breaker Suitability	Eaton Type BR
kVA	30
Connection	MPC1P-5t
Incoming Voltage	600
Primary Breaker	100A
Interrupting Rating	14kAIC @ 600V
Output Voltage	120/240
Secondary Breaker	150A
Short Circuit Withstand	25kAIC @ 240V
Primary Taps	+/- 2 x 2.5%
Conductor Material	Aluminum
Insuation Class	200°C
Panel Board	Push-On
Load Center Bus Material	Aluminum
# of Circuits	30
Impedance	1.5 – 3.0%
Temperatue Rise	130°C
Enclosure	E3R-1PMPC-3
Enclosure Type	E3R Outdoor
Finish	Polyster Powder Coat – ANSI/ASA 61 Grey
Standards & Certifications	CSA Certified File No. LR34493, UL Listed File No. E495724, ISO 9001:2015 Registered

