



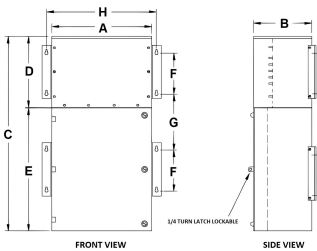
MP1A30J-K

\$11,151.00 CAD

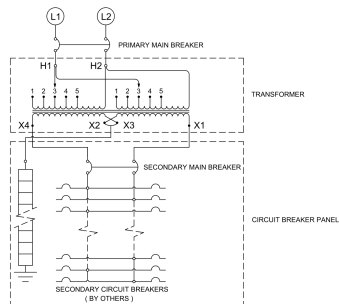
SKU: 682aab7669bb

Categories: [Mini Power Centers](#)

SCHEMATIC/DIAGRAM AND DIMENSION PICTURES



| Ref | A | B | C | D | E | F | G | H |
|--------------|----|------|------|------|------|---|------|-------|
| Dim (inches) | 18 | 14.5 | 59.5 | 23.6 | 35.9 | 8 | 26.5 | 20.13 |





PRODUCT SPECIFICATIONS

| | |
|---------------------------------------|--|
| Weight | 780 lbs |
| Phases | 1 |
| Circuit Breaker Suitability | Eaton Type BR |
| kVA | 30 |
| Connection | MPC1P-5t |
| Incoming Voltage | 600 |
| Primary Breaker | 100A |
| Interrupting Rating | 14kAIC @ 600V |
| Output Voltage | 120/240 |
| Secondary Breaker | 150A |
| Short Circuit Withstand | 25kAIC @ 240V |
| Primary Taps | +/- 2 x 2.5% |
| Conductor Material | Aluminum |
| Insuation Class | 200°C |
| Panel Board | Push-On |
| Load Center Bus Material | Aluminum |
| # of Circuits | 30 |
| Impedance | 1.5 – 3.0% |
| Temperatue Rise | 130°C |
| Enclosure | E3R-1PMPC-3 |
| Enclosure Type | E3R Outdoor |
| Finish | Polyster Powder Coat – ANSI/ASA 61 Grey |
| Standards & Certifications | CSA Certified File No. LR34493, UL Listed File No. E495724, ISO 9001:2015 Registered |

