

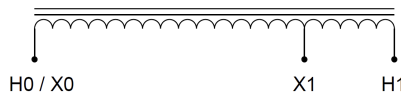
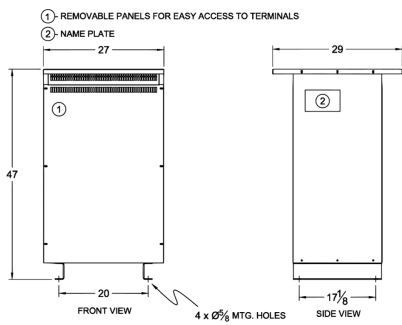
MC225H-C

\$6,290.19 USD

SKU: 2661bbcdf3c6

Categories: [Autotransformer](#)

SCHEMATIC/DIAGRAM AND DIMENSION PICTURES



PRODUCT SPECIFICATIONS

Weight	680 lbs
Phases	<u>1</u>



kVA	225
Connection	1PhA-NT-1
Primary Voltage	480
Primary Max Current	468.8A
Primary Markings	H0-H1
Primary Terminals	Pads
Secondary Voltage	240
Secondary Max Current	937.5A
Secondary Markings	X0-X1
Secondary Terminals	Pads
Primary Taps	N/A
Conductor Material	Copper
Insuation Class	220°C
BIL (Insulation) Level	10kV
Efficiency	N/A
Impedance	2.5 – 4.5%
Sound (db)	50
Enclosure Type	NEMA 3R Indoor
Enclosure	E3R-8S
Finish	Polyster Powder Coat – ANSI/ASA 61 Grey
Standards & Certifications	CSA Certified File No. LR34493, UL Listed File No. E108255, ISO 9001:2015 Registered