

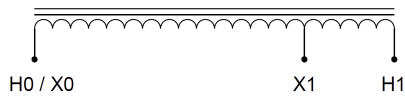
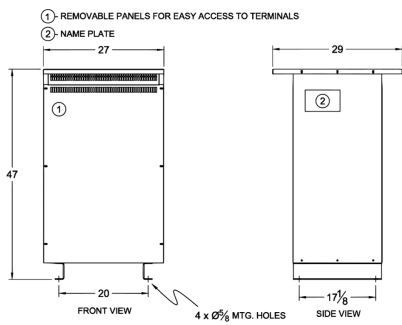
## MC225H-C

**\$8,541.00 CAD**

SKU: 2661bbcdf3c6

Categories: [Autotransformer](#)

### SCHEMATIC/DIAGRAM AND DIMENSION PICTURES



### PRODUCT SPECIFICATIONS

<b>Weight</b>	680 lbs
<b>Phases</b>	<u>1</u>



<b>kVA</b>	<a href="#">225</a>
<b>Connection</b>	<a href="#">1PhA-NT-1</a>
<b>Primary Voltage</b>	<a href="#">480</a>
<b>Primary Max Current</b>	<a href="#">468.8A</a>
<b>Primary Markings</b>	<a href="#">H0-H1</a>
<b>Primary Terminals</b>	<a href="#">Pads</a>
<b>Secondary Voltage</b>	<a href="#">240</a>
<b>Secondary Max Current</b>	<a href="#">937.5A</a>
<b>Secondary Markings</b>	<a href="#">X0-X1</a>
<b>Secondary Terminals</b>	<a href="#">Pads</a>
<b>Primary Taps</b>	<a href="#">N/A</a>
<b>Conductor Material</b>	<a href="#">Copper</a>
<b>Insuation Class</b>	<a href="#">220°C</a>
<b>BIL (Insulation) Level</b>	<a href="#">10kV</a>
<b>Efficiency</b>	<a href="#">N/A</a>
<b>Impedance</b>	<a href="#">2.5 – 4.5%</a>
<b>Sound (db)</b>	<a href="#">50</a>
<b>Enclosure Type</b>	<a href="#">NEMA 3R Indoor</a>
<b>Enclosure</b>	<a href="#">E3R-8S</a>
<b>Finish</b>	<a href="#">Polyster Powder Coat – ANSI/ASA 61 Grey</a>
<b>Standards &amp; Certifications</b>	<a href="#">CSA Certified File No. LR34493, UL Listed File No. E108255, ISO 9001:2015 Registered</a>