



330KVA 110 VOLTS TO 480 VOLTS SINGLE PHASE ISOLATION TRANSFORMER

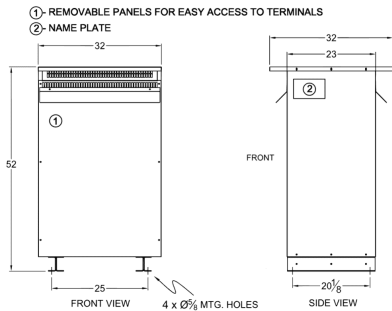
\$28,403.20 CAD

Single Phase Isolation Transformer with a capacity of 330kVA, transforming 110 Volts to 480 Volts

SKU: SC330A2-H/Z3

Categories: [Isolation Transformers](#)

SCHEMATIC/DIAGRAM AND DIMENSION PICTURES



Single Phase Isolation Transformer with a capacity of 330kVA, transforming 110 Volts to 480 Volts



PRODUCT SPECIFICATIONS

Weight	1720 lbs
Phases	1
kVA	330
Connection	1Ph-2coil-5T-SU
Primary Voltage	110
Primary Max Current	3000.0A
Primary Markings	X1-X2
Primary Terminals	Pads
Secondary Voltage	480
Secondary Max Current	687.5A
Secondary Markings	H1-H2
Secondary Terminals	Pads
Primary Taps	+/- 2 x 2.5%
Conductor Material	Copper
BIL (Insulation) Level	10kV
Efficiency (@35% Load) %	98.90% (DOE 2016/NRCan 2019)
Impedance Range	4.0 – 6.0%
Sound (db)	55
Enclosure Type	NEMA 3R Indoor
Enclosure Size	E3R-9S
Finish/Colour	Polyester Powder Coat – ANSI/ASA 61 Grey
Standards & Certifications	CSA Certified File No. LR34493, UL Listed File No. E108255, ISO 9001:2015 Registered
Temperatue Rise	150°C



OFFICIAL QUOTE

330KVA 110 VOLTS TO 480 VOLTS
SINGLE PHASE ISOLATION
TRANSFORMER



Insuation Class	150°C
Country/Manufacturer	Canada/RPM
Finish/Colour	Polyester Powder Coat – ANSI/ASA 61 Grey