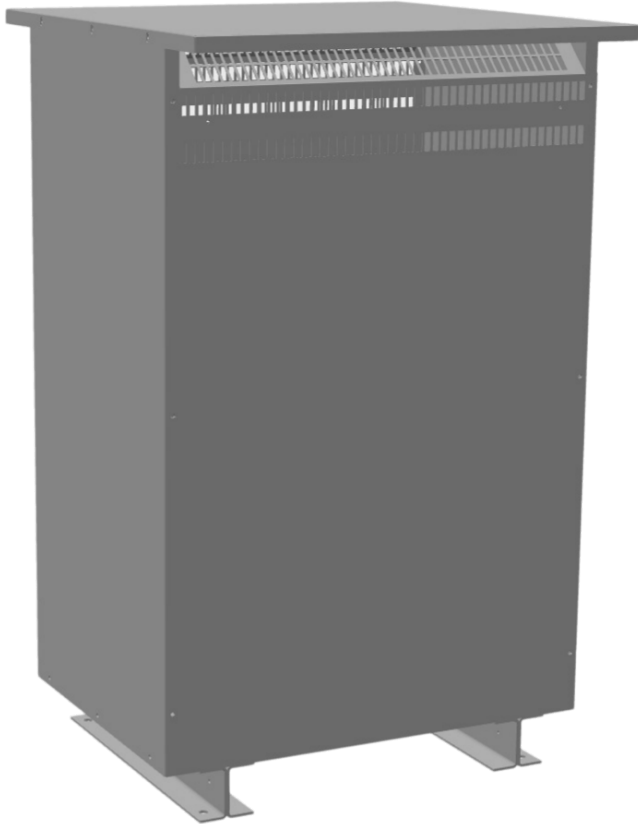




250KVA 480 VOLTS TO 110/220
VOLTS SINGLE PHASE ISOLATION
TRANSFORMER



250KVA 480 VOLTS TO
110/220 VOLTS SINGLE
PHASE ISOLATION
TRANSFORMER

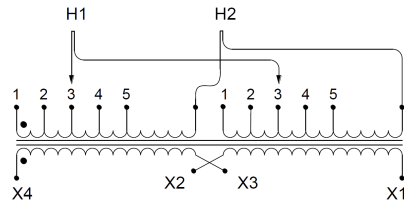
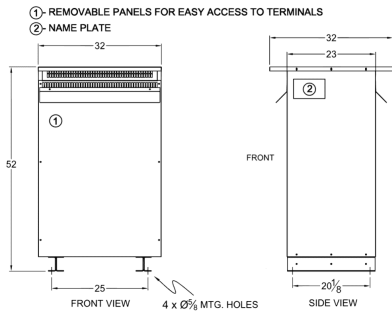
\$21,369.53 CAD

Single Phase Isolation Transformer with a capacity of 250kVA, transforming 480 Volts to 110/220 Volts

SKU: SC250H-K2/Z3

Categories: [Isolation Transformers](#)

SCHEMATIC/DIAGRAM AND DIMENSION PICTURES



Single Phase Isolation Transformer with a capacity of 250kVA, transforming 480 Volts to 110/220 Volts



PRODUCT SPECIFICATIONS

| | |
|----------------------------|--|
| Weight | 1308 lbs |
| Phases | 1 |
| kVA | 250 |
| Connection | 1Ph-2coil-5t-SD |
| Primary Voltage | 480 |
| Primary Max Current | 520.83A |
| Primary Markings | H1-H2 |
| Primary Terminals | Pads |
| Secondary Voltage | 110/220 |
| Secondary Max Current | 2272.73A |
| Secondary Markings | X1-X2 |
| Secondary Terminals | Pads |
| Primary Taps | +/- 2 x 2.5% |
| Conductor Material | Copper |
| BIL (Insulation) Level | 10kV |
| Efficiency (@35% Load) % | 98.80% (DOE 2016/NRCan 2019) |
| Impedance Range | 4.0 – 6.0% |
| Sound (db) | 55 |
| Enclosure Type | NEMA 3R Indoor |
| Enclosure Size | E3R-9S |
| Finish/Colour | Polyester Powder Coat – ANSI/ASA 61 Grey |
| Standards & Certifications | CSA Certified File No. LR34493, UL Listed File No. E108255, ISO 9001:2015 Registered |
| Temperatue Rise | 150°C |

OFFICIAL QUOTE

250KVA 480 VOLTS TO 110/220
VOLTS SINGLE PHASE ISOLATION
TRANSFORMER



| | |
|----------------------|--|
| Insuation Class | 150°C |
| Country/Manufacturer | Canada/RPM |
| Finish/Colour | Polyester Powder Coat – ANSI/ASA 61 Grey |