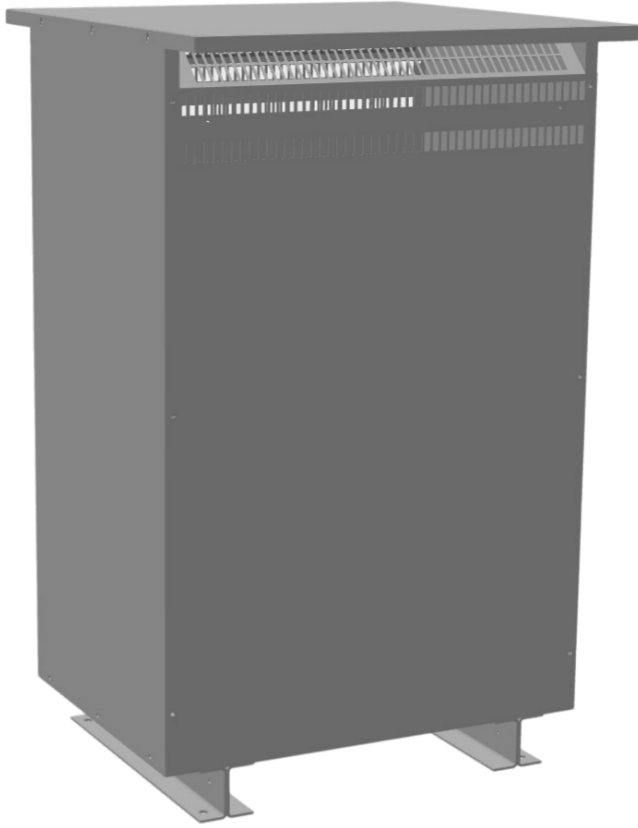


250KVA 208 VOLTS TO 380 VOLTS
SINGLE PHASE ISOLATION
TRANSFORMER



**250KVA 208 VOLTS TO 380
VOLTS SINGLE PHASE
ISOLATION TRANSFORMER**

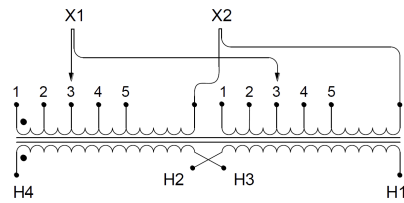
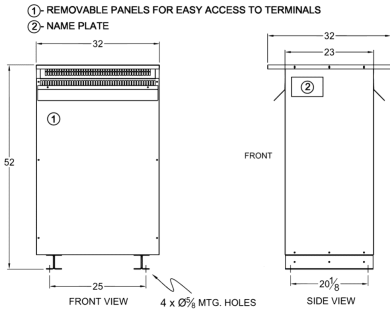
\$22,298.64 CAD

Single Phase Isolation Transformer with a capacity of 250kVA, transforming 208 Volts to 380 Volts

SKU: SC250B-F/Z3

Categories: [Isolation Transformers](#)

SCHEMATIC/DIAGRAM AND DIMENSION PICTURES



Single Phase Isolation Transformer with a capacity of 250kVA, transforming 208 Volts to 380 Volts



PRODUCT SPECIFICATIONS

Weight	1308 lbs
Phases	1
kVA	250
Connection	1Ph-2coil-5T-SU
Primary Voltage	208
Primary Max Current	1201.92A
Primary Markings	X1-X2
Primary Terminals	Pads
Secondary Voltage	380
Secondary Max Current	657.89A
Secondary Markings	H1-H2
Secondary Terminals	Pads
Primary Taps	+/- 2 x 2.5%
Conductor Material	Copper
BIL (Insulation) Level	10kV
Efficiency (@35% Load) %	98.80% (DOE 2016/NRCan 2019)
Impedance Range	4.0 – 6.0%
Sound (db)	55
Enclosure Type	NEMA 3R Indoor
Enclosure Size	E3R-9S
Finish/Colour	Polyester Powder Coat – ANSI/ASA 61 Grey
Standards & Certifications	CSA Certified File No. LR34493, UL Listed File No. E108255, ISO 9001:2015 Registered
Temperatue Rise	150°C

OFFICIAL QUOTE

250KVA 208 VOLTS TO 380 VOLTS
SINGLE PHASE ISOLATION
TRANSFORMER



Insuation Class	150°C
Country/Manufacturer	Canada/RPM
Finish/Colour	Polyester Powder Coat – ANSI/ASA 61 Grey