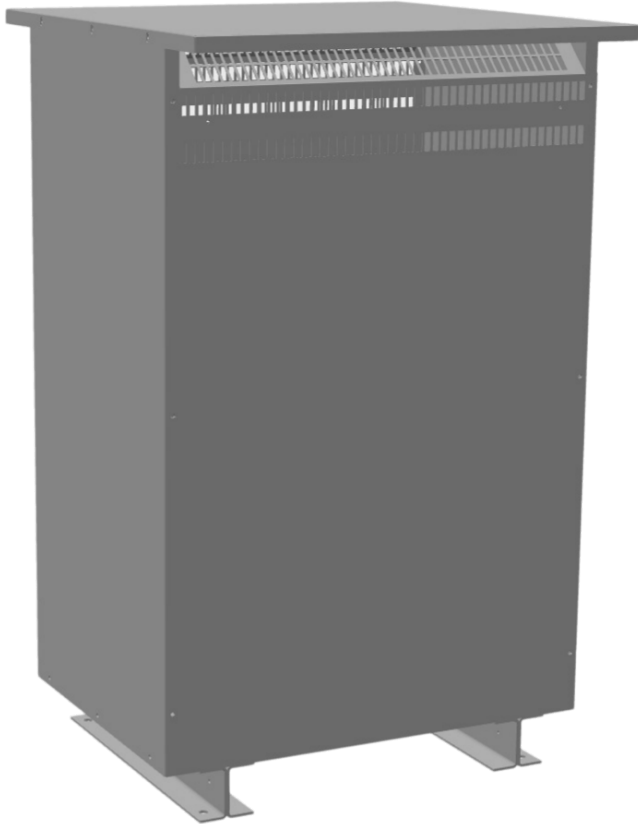




250KVA 120 VOLTS TO 120/240  
VOLTS SINGLE PHASE ISOLATION  
TRANSFORMER



250KVA 120 VOLTS TO  
120/240 VOLTS SINGLE  
PHASE ISOLATION  
TRANSFORMER

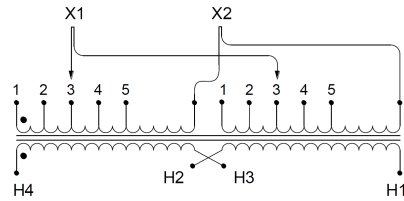
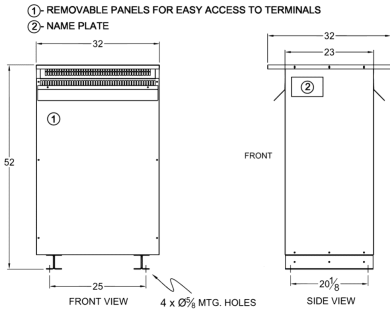
**\$14,209.27 CAD**

Single Phase Isolation Transformer with a capacity of 250kVA, transforming 120 Volts to 120/240 Volts

SKU: SA250A-K/Z3

Categories: [Isolation Transformers](#)

**SCHEMATIC/DIAGRAM AND DIMENSION PICTURES**



Single Phase Isolation Transformer with a capacity of 250kVA, transforming 120 Volts to 120/240 Volts



PRODUCT SPECIFICATIONS

Weight	1225 lbs
Phases	<a href="#">1</a>
kVA	<a href="#">250</a>
Connection	<a href="#">1Ph-2coil-5T-SU</a>
Primary Voltage	<a href="#">120</a>
Primary Max Current	<a href="#">2083.33A</a>
Primary Markings	<a href="#">H1-H2</a>
Primary Terminals	<a href="#">Pads</a>
Secondary Voltage	<a href="#">120/240</a>
Secondary Max Current	<a href="#">2083.33A</a>
Secondary Markings	<a href="#">X1-X2</a>
Secondary Terminals	<a href="#">Pads</a>
Primary Taps	<a href="#">+/- 2 x 2.5%</a>
Conductor Material	<a href="#">Aluminum</a>
BIL (Insulation) Level	<a href="#">10kV</a>
Efficiency (@35% Load) %	<a href="#">98.80% (DOE 2016/NRCan 2019)</a>
Impedance Range	<a href="#">4.0 – 6.0%</a>
Sound (db)	<a href="#">55</a>
Enclosure Type	<a href="#">NEMA 3R Indoor</a>
Enclosure Size	<a href="#">E3R-9S</a>
Finish/Colour	<a href="#">Polyester Powder Coat – ANSI/ASA 61 Grey</a>
Standards & Certifications	<a href="#">CSA Certified File No. LR34493, UL Listed File No. E108255, ISO 9001:2015 Registered</a>
Temperatue Rise	<a href="#">150°C</a>

OFFICIAL QUOTE

250KVA 120 VOLTS TO 120/240  
VOLTS SINGLE PHASE ISOLATION  
TRANSFORMER



Insuation Class	<a href="#">150°C</a>
Country/Manufacturer	<a href="#">Canada/RPM</a>
Finish/Colour	<a href="#">Polyester Powder Coat – ANSI/ASA 61 Grey</a>