



200VA 110 VOLTS TO 115 VOLTS SINGLE PHASE ISOLATION TRANSFORMER

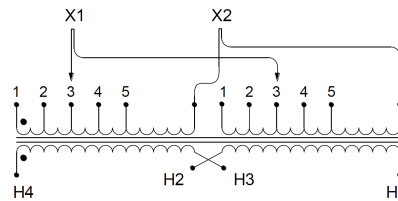
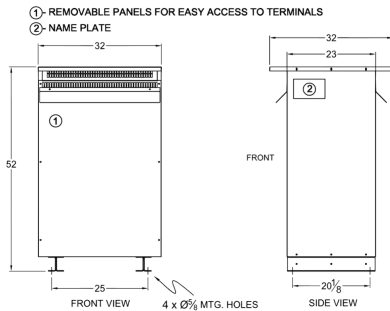
\$20,333.04 CAD

Single Phase Isolation Transformer with a capacity of 200kVA, transforming 110 Volts to 115 Volts

SKU: SC200A2-A1/Z3

Categories: [Isolation Transformers](#)

SCHEMATIC/DIAGRAM AND DIMENSION PICTURES



Single Phase Isolation Transformer with a capacity of 200kVA, transforming 110 Volts to 115 Volts

200VA 110 VOLTS TO 115 VOLTS
SINGLE PHASE ISOLATION
TRANSFORMER



PRODUCT SPECIFICATIONS

Weight	1170 lbs
Phases	1
kVA	200
Connection	1Ph-2coil-5T-SU
Primary Voltage	110
Primary Max Current	1818.18A
Primary Markings	X1-X2
Primary Terminals	Pads
Secondary Voltage	115
Secondary Max Current	1739.13A
Secondary Markings	H1-H2
Secondary Terminals	Pads
Primary Taps	+/- 2 x 2.5%
Conductor Material	Copper
BIL (Insulation) Level	10kV
Efficiency (@35% Load) %	98.74% (DOE 2016/NRCan 2019)
Impedance Range	4.0 – 6.0%
Sound (db)	55
Enclosure Type	NEMA 3R Indoor
Enclosure Size	E3R-9S
Finish/Colour	Polyester Powder Coat – ANSI/ASA 61 Grey
Standards & Certifications	CSA Certified File No. LR34493, UL Listed File No. E108255, ISO 9001:2015 Registered
Temperatue Rise	150°C



OFFICIAL QUOTE

200VA 110 VOLTS TO 115 VOLTS
SINGLE PHASE ISOLATION
TRANSFORMER



Insuation Class	150°C
Country/Manufacturer	Canada/RPM
Finish/Colour	Polyester Powder Coat – ANSI/ASA 61 Grey