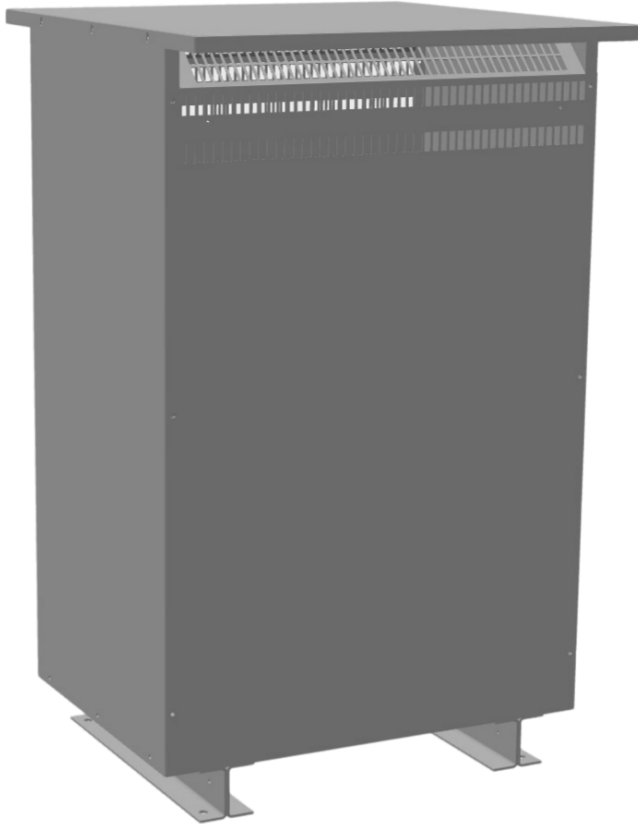




OFFICIAL QUOTE

200KVA 416 VOLTS TO 115 VOLTS  
SINGLE PHASE ISOLATION  
TRANSFORMER



200KVA 416 VOLTS TO 115  
VOLTS SINGLE PHASE  
ISOLATION TRANSFORMER

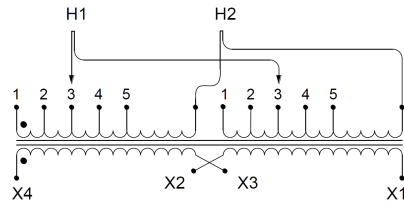
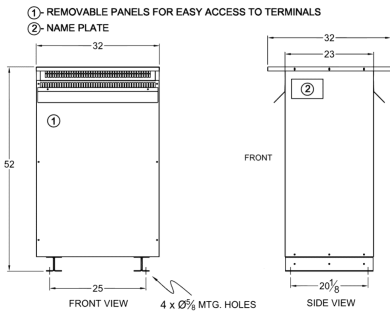
**\$20,333.04 CAD**

Single Phase Isolation Transformer with a capacity of 200kVA, transforming 416 Volts to 115 Volts

SKU: SC200G-A1/Z3

Categories: [Isolation Transformers](#)

SCHEMATIC/DIAGRAM AND DIMENSION PICTURES



Single Phase Isolation Transformer with a capacity of 200kVA, transforming 416 Volts to 115 Volts



OFFICIAL QUOTE

200KVA 416 VOLTS TO 115 VOLTS  
SINGLE PHASE ISOLATION  
TRANSFORMER



PRODUCT SPECIFICATIONS

Weight	1170 lbs
Phases	<a href="#">1</a>
kVA	<a href="#">200</a>
Connection	<a href="#">1Ph-2coil-5t-SD</a>
Primary Voltage	<a href="#">416</a>
Primary Max Current	<a href="#">480.77A</a>
Primary Markings	<a href="#">H1-H2</a>
Primary Terminals	<a href="#">Pads</a>
Secondary Voltage	<a href="#">115</a>
Secondary Max Current	<a href="#">1739.13A</a>
Secondary Markings	<a href="#">X1-X2</a>
Secondary Terminals	<a href="#">Pads</a>
Primary Taps	<a href="#">+/- 2 x 2.5%</a>
Conductor Material	<a href="#">Copper</a>
BIL (Insulation) Level	<a href="#">10kV</a>
Efficiency (@35% Load) %	<a href="#">98.74% (DOE 2016/NRCan 2019)</a>
Impedance Range	<a href="#">4.0 – 6.0%</a>
Sound (db)	<a href="#">55</a>
Enclosure Type	<a href="#">NEMA 3R Indoor</a>
Enclosure Size	<a href="#">E3R-9S</a>
Finish/Colour	<a href="#">Polyester Powder Coat – ANSI/ASA 61 Grey</a>
Standards & Certifications	<a href="#">CSA Certified File No. LR34493, UL Listed File No. E108255, ISO 9001:2015 Registered</a>
Temperatue Rise	<a href="#">150°C</a>



OFFICIAL QUOTE

200KVA 416 VOLTS TO 115 VOLTS  
SINGLE PHASE ISOLATION  
TRANSFORMER



<b>Insuation Class</b>	<a href="#">150°C</a>
<b>Country/Manufacturer</b>	<a href="#">Canada/RPM</a>
<b>Finish/Colour</b>	<a href="#">Polyester Powder Coat – ANSI/ASA 61 Grey</a>