

200KVA 120 VOLTS TO 460 VOLTS
SINGLE PHASE ISOLATION
TRANSFORMER



200KVA 120 VOLTS TO 460
VOLTS SINGLE PHASE
ISOLATION TRANSFORMER

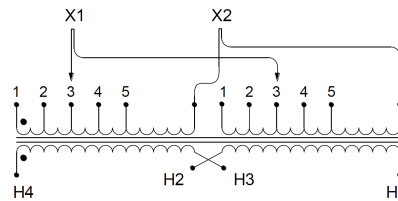
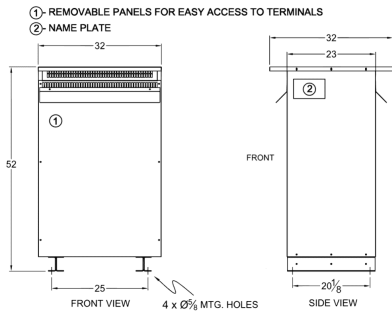
\$19,785.61 CAD

Single Phase Isolation Transformer with a capacity of 200kVA, transforming 120 Volts to 460 Volts

SKU: SC200A-H1/Z3

Categories: [Isolation Transformers](#)

SCHEMATIC/DIAGRAM AND DIMENSION PICTURES



Single Phase Isolation Transformer with a capacity of 200kVA, transforming 120 Volts to 460 Volts

200KVA 120 VOLTS TO 460 VOLTS
SINGLE PHASE ISOLATION
TRANSFORMER



PRODUCT SPECIFICATIONS

Weight	1170 lbs
Phases	1
kVA	200
Connection	1Ph-2coil-5T-SU
Primary Voltage	120
Primary Max Current	1666.67A
Primary Markings	X1-X2
Primary Terminals	Pads
Secondary Voltage	460
Secondary Max Current	434.78A
Secondary Markings	H1-H2
Secondary Terminals	Pads
Primary Taps	+/- 2 x 2.5%
Conductor Material	Copper
BIL (Insulation) Level	10kV
Efficiency (@35% Load) %	98.74% (DOE 2016/NRCan 2019)
Impedance Range	4.0 – 6.0%
Sound (db)	55
Enclosure Type	NEMA 3R Indoor
Enclosure Size	E3R-9S
Finish/Colour	Polyester Powder Coat – ANSI/ASA 61 Grey
Standards & Certifications	CSA Certified File No. LR34493, UL Listed File No. E108255, ISO 9001:2015 Registered
Temperatue Rise	150°C



OFFICIAL QUOTE

200KVA 120 VOLTS TO 460 VOLTS
SINGLE PHASE ISOLATION
TRANSFORMER



Insuation Class	150°C
Country/Manufacturer	Canada/RPM
Finish/Colour	Polyester Powder Coat – ANSI/ASA 61 Grey