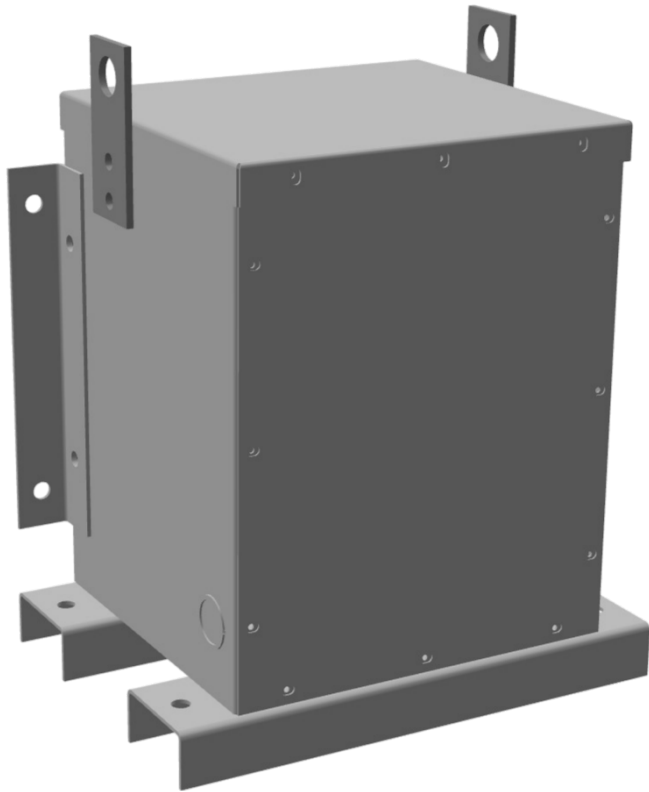




**2KVA 480 VOLTS TO 240Y/139 VOLTS  
THREE PHASE ENCAPSULATED  
ISOLATION TRANSFORMER**



**2KVA 480 VOLTS TO  
240Y/139 VOLTS THREE  
PHASE ENCAPSULATED  
ISOLATION TRANSFORMER**

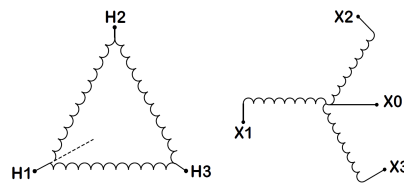
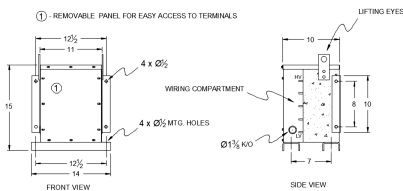
**\$1,979.00 CAD**

Three Phase Encapsulated Isolation Transformer with a capacity of 2kVA, transforming 480 Volts to 240Y/139 Volts

**SKU:** BC2H-S/EP

**Categories:** [Encapsulated Isolation Transformer](#)

**SCHEMATIC/DIAGRAM AND DIMENSION PICTURES**



Three Phase Encapsulated Isolation Transformer with a capacity of 2kVA, transforming 480 Volts to 240Y/139 Volts



2KVA 480 VOLTS TO 240Y/139 VOLTS  
THREE PHASE ENCAPSULATED  
ISOLATION TRANSFORMER

PRODUCT SPECIFICATIONS

<b>Weight</b>	150 lbs
<b>Phases</b>	<a href="#">3</a>
<b>kVA</b>	<a href="#">2</a>
<b>Connection</b>	<a href="#">3Ph-DY-NT-SD</a>
<b>Primary Voltage</b>	<a href="#">480</a>
<b>Primary Max Current</b>	<a href="#">2.4A</a>
<b>Primary Markings</b>	<a href="#">H1-H2-3</a>
<b>Primary Terminals</b>	<a href="#">#2-14 AWG</a>
<b>Secondary Voltage</b>	<a href="#">240Y/139</a>
<b>Secondary Max Current</b>	<a href="#">4.8A</a>
<b>Secondary Markings</b>	<a href="#">X0-X1-X2-X3</a>
<b>Secondary Terminals</b>	<a href="#">#2-14 AWG</a>
<b>Primary Taps</b>	<a href="#">N/A</a>
<b>Conductor Material</b>	<a href="#">Copper</a>
<b>BIL (Insulation) Level</b>	<a href="#">10kV</a>
<b>Efficiency (@35% Load) %</b>	<a href="#">N/A</a>
<b>Impedance Range</b>	<a href="#">1.5 – 3.5%</a>
<b>Sound (db)</b>	<a href="#">40</a>
<b>Enclosure Type</b>	<a href="#">NEMA 3R Indoor</a>
<b>Enclosure Size</b>	<a href="#">E3R-3PEP-1</a>
<b>Finish/Colour</b>	<a href="#">Polyester Powder Coat – ANSI/ASA 61 Grey</a>
<b>Standards &amp; Certifications</b>	<a href="#">CSA Certified File No. LR34493, UL Listed File No. E108255, ISO 9001:2015 Registered</a>
<b>Country/Manufacturer</b>	<a href="#">Canada/RPM</a>