

# 225KVA 208 VOLTS TO 550 VOLTS SINGLE PHASE AUTOTRANSFORMER

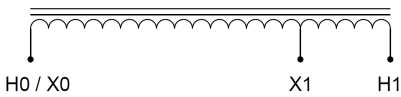
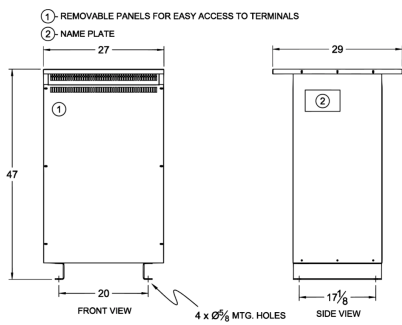
**\$10,521.05 USD**

Single Phase Autotransformer with a capacity of 225kVA, transforming 208 Volts to 550 Volts

SKU: MC225B-J2

Categories: [Autotransformer](#)

## SCHEMATIC/DIAGRAM AND DIMENSION PICTURES



Single Phase Autotransformer with a capacity of 225kVA, transforming 208 Volts to 550 Volts



PRODUCT SPECIFICATIONS

<b>Weight</b>	1077.9 lbs
<b>Phases</b>	<a href="#">1</a>
<b>kVA</b>	<a href="#">225</a>
<b>Connection</b>	<a href="#">1PhA-NT-1</a>
<b>Primary Voltage</b>	<a href="#">208</a>
<b>Primary Max Current</b>	<a href="#">624.5A</a>
<b>Primary Markings</b>	<a href="#">X0-X1</a>
<b>Primary Terminals</b>	<a href="#">Pads</a>
<b>Secondary Voltage</b>	<a href="#">550</a>
<b>Secondary Max Current</b>	<a href="#">236.2A</a>
<b>Secondary Markings</b>	<a href="#">H0-H1</a>
<b>Secondary Terminals</b>	<a href="#">600MCM-2</a>
<b>Primary Taps</b>	<a href="#">N/A</a>
<b>Conductor Material</b>	<a href="#">Copper</a>
<b>Insulation Class</b>	<a href="#">220°C (Class H)</a>
<b>BIL (Insulation) Level</b>	<a href="#">10kV</a>
<b>Efficiency (@35% Load) %</b>	<a href="#">N/A</a>
<b>Impedance Range</b>	<a href="#">2.5 – 4.5%</a>
<b>Sound (db)</b>	<a href="#">55 dB</a>
<b>Enclosure Type</b>	<a href="#">NEMA 3R Indoor</a>
<b>Enclosure Size</b>	<a href="#">E3R-8S</a>
<b>Finish/Colour</b>	<a href="#">Polyester Powder Coat – ANSI/ASA 61 Grey</a>
<b>Standards &amp; Certifications</b>	<a href="#">CSA Certified File No. LR34493, UL Listed File No. E108255, ISO 9001:2015 Registered</a>



OFFICIAL QUOTE

225KVA 208 VOLTS TO 550 VOLTS  
SINGLE PHASE AUTOTRANSFORMER



Country/Manufacturer

[Canada/RPM](#)