

**200VA 575 VOLTS TO 415  
VOLTS SINGLE PHASE  
ISOLATION TRANSFORMER**

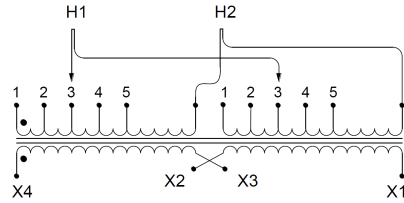
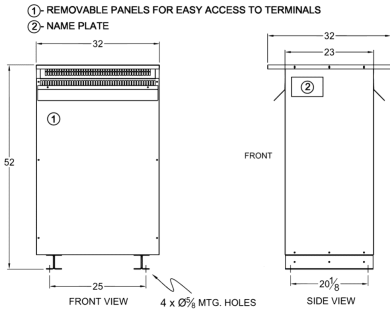
**\$19,785.61 CAD**

Single Phase Isolation Transformer with a capacity of 200kVA, transforming 575 Volts to 415 Volts

SKU: SC200J1-G2/Z3

Categories: [Isolation Transformers](#)

**SCHEMATIC/DIAGRAM AND DIMENSION PICTURES**



Single Phase Isolation Transformer with a capacity of 200kVA, transforming 575 Volts to 415 Volts



PRODUCT SPECIFICATIONS

<b>Weight</b>	1170 lbs
<b>Phases</b>	<a href="#">1</a>
<b>kVA</b>	<a href="#">200</a>
<b>Connection</b>	<a href="#">1Ph-2coil-5t-SD</a>
<b>Primary Voltage</b>	<a href="#">575</a>
<b>Primary Max Current</b>	<a href="#">347.83A</a>
<b>Primary Markings</b>	<a href="#">H1-H2</a>
<b>Primary Terminals</b>	<a href="#">Pads</a>
<b>Secondary Voltage</b>	<a href="#">415</a>
<b>Secondary Max Current</b>	<a href="#">481.93A</a>
<b>Secondary Markings</b>	<a href="#">X1-X2</a>
<b>Secondary Terminals</b>	<a href="#">Pads</a>
<b>Primary Taps</b>	<a href="#">+/- 2 x 2.5%</a>
<b>Conductor Material</b>	<a href="#">Copper</a>
<b>BIL (Insulation) Level</b>	<a href="#">10kV</a>
<b>Efficiency (@35% Load) %</b>	<a href="#">98.74% (DOE 2016/NRCan 2019)</a>
<b>Impedance Range</b>	<a href="#">4.0 – 6.0%</a>
<b>Sound (db)</b>	<a href="#">55</a>
<b>Enclosure Type</b>	<a href="#">NEMA 3R Indoor</a>
<b>Enclosure Size</b>	<a href="#">E3R-9S</a>
<b>Finish/Colour</b>	<a href="#">Polyester Powder Coat – ANSI/ASA 61 Grey</a>
<b>Standards &amp; Certifications</b>	<a href="#">CSA Certified File No. LR34493, UL Listed File No. E108255, ISO 9001:2015 Registered</a>
<b>Temperatue Rise</b>	<a href="#">150°C</a>

OFFICIAL QUOTE  
200VA 575 VOLTS TO 415 VOLTS  
SINGLE PHASE ISOLATION  
TRANSFORMER



Insuation Class	<a href="#">150°C</a>
Country/Manufacturer	<a href="#">Canada/RPM</a>
Finish/Colour	<a href="#">Polyester Powder Coat – ANSI/ASA 61 Grey</a>