



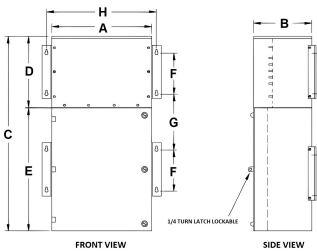
MP1A30J-K/BO/CLC

\$14,081.00 CAD

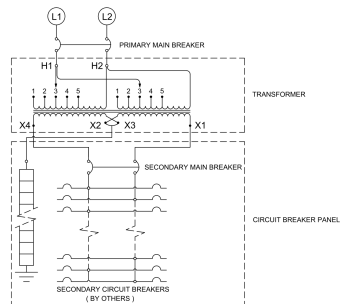
SKU: 2c216887487b

Categories: [Mini Power Centers](#)

SCHEMATIC/DIAGRAM AND DIMENSION PICTURES



Ref	A	B	C	D	E	F	G	H
Dim (Inches)	23.25	14.5	60	23.6	36.5	8	26.5	25.38





PRODUCT SPECIFICATIONS

Weight	780 lbs
Phases	1
Circuit Breaker Suitability	Eaton Type BAB
kVA	30
Connection	MPC1P-5t
Incoming Voltage	600
Primary Breaker	100A
Interrupting Rating	14kAIC @ 600V
Output Voltage	120/240
Secondary Breaker	150A
Short Circuit Withstand	25kAIC @ 240V
Primary Taps	+/- 2 x 2.5%
Conductor Material	Aluminum
Insuation Class	200°C
Panel Board	Bolt-On
Load Center Bus Material	Copper
# of Circuits	30
Impedance	1.5 – 3.0%
Temperatue Rise	130°C
Enclosure	E3R-1PMPC-3B
Enclosure Type	E3R Outdoor
Finish	Polyster Powder Coat – ANSI/ASA 61 Grey
Standards & Certifications	CSA Certified File No. LR34493, ISO 9001:2015 Registered