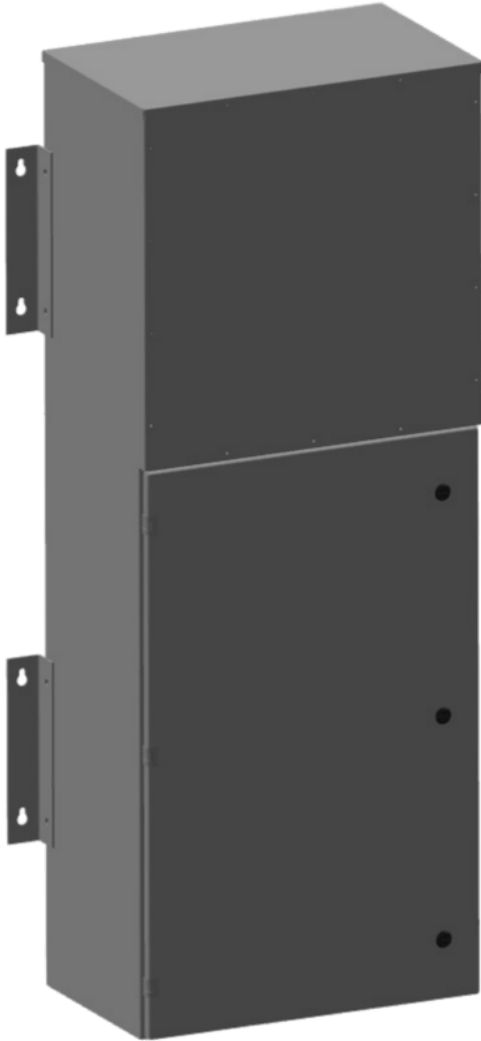




30KVA 480 VOLTS TO 120/240 VOLTS
SINGLE PHASE PUSH-ON BREAKER
MINI POWER CENTER



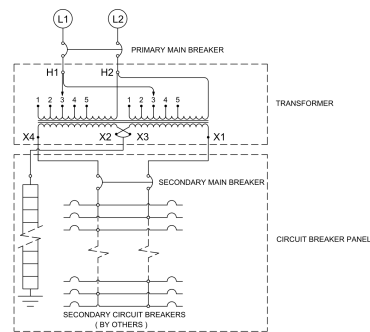
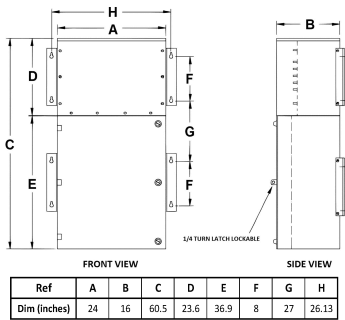
30KVA 480 VOLTS TO
120/240 VOLTS SINGLE
PHASE PUSH-ON BREAKER
MINI POWER CENTER

\$10,084.22 USD

SKU: MP1C30H-K

Categories: [Mini Power Centers](#)

SCHEMATIC/DIAGRAM AND DIMENSION PICTURES



30KVA 480 VOLTS TO 120/240 VOLTS
SINGLE PHASE PUSH-ON BREAKER
MINI POWER CENTER



PRODUCT SPECIFICATIONS

Weight	780 lbs
Phases	1
kVA	30
Connection	MPC1P-5t
Primary Taps	+/- 2 x 2.5%
Conductor Material	Copper
BIL (Insulation) Level	10kV
Impedance Range	1.5 – 3.0%
Enclosure Type	NEMA 3R Outdoor
Enclosure Size	E3R-1PMPC-4
Finish/Colour	Polyester Powder Coat – ANSI/ASA 61 Grey
Standards & Certifications	CSA Certified File No. LR34493, UL Listed File No. E495724, ISO 9001:2015 Registered
Incoming Voltage	480
Primary Breaker	125A
Interrupting Rating	14kAIC @ 480V
Output Voltage	120/240
Secondary Breaker	150A
Short Circuit Withstand	25kAIC @ 240V
Panel Board	Push-On
Load Center Bus Material	Aluminum
# of Circuits	30
Circuit Breaker Suitability	Eaton Type BR
Temperatue Rise	130°C



OFFICIAL QUOTE

30KVA 480 VOLTS TO 120/240 VOLTS
SINGLE PHASE PUSH-ON BREAKER
MINI POWER CENTER



Insuation Class	200°C (Class N)
Country/Manufacturer	Canada/RPM